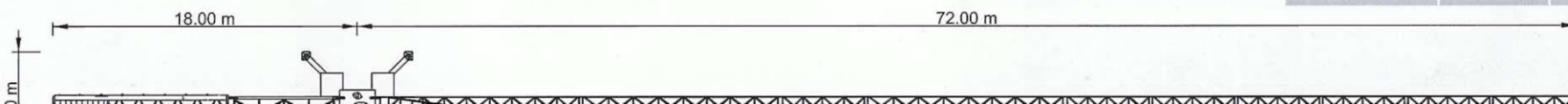
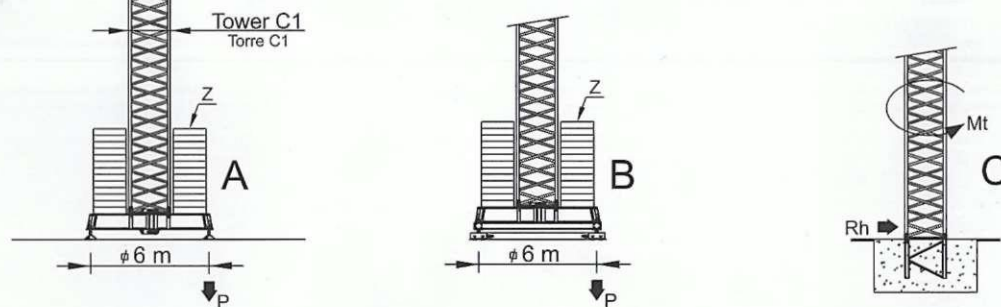


Cargas. Loads. Lasten. Charges. Cargas. Carichi. Yüklcr. ГРУЗОПОДЪЕМНОСТЬ

Icon	Diagram	Kg/m M/KG	m	kg													
				10000	5000	16	21	26	31	36	38	43	48	50	55	60	65
18000 kg 8x2000 + 2x1000 kg	70m	L71+L72+L73+L74+L75 L56+L76+L65+L66+L66	29.3 m	5000	5000	5000	4710	3990	3750	3260	2870	2730	2440	2190	1990	1800	
			14.8 m	9190	6790	5310	4310	3590	3350	2860	2470	2330	2040	1790	1590	1400	
18000 kg 8x2000 + 2x1000 kg	65m	L71+L72+L73+L74+L75 L56+L76+L65+L68	35.5 m	5000	5000	5000	5000	4940	4650	4050	3580	3410	3060	2760	2500		
			17.9 m	10000	8420	6630	5410	4540	4250	3650	3180	3010	2660	2360	2100		
17000 kg 8x2000 + 1x1000 kg	60m	L71+L72+L73+L74+L75 L56+L76+L65	38.2 m	5000	5000	5000	5000	5000	5000	4400	3890	3720	3330	3000			
			19.3 m	10000	9140	7210	5900	4960	4650	4000	3490	3320	2930	2600			
17000 kg 8x2000 + 1x1000 kg	55m	L71+L72+L73+L74+L75 L56+L76	40 m	5000	5000	5000	5000	5000	5000	4640	4100	3920	3500				
			20.2 m	10000	9620	7600	6230	5240	4910	4240	3700	3520	3100				
16000 kg 8x2000 kg	50m	L71+L72+L73+L74+L75 L56	40.9 m	5000	5000	5000	5000	5000	5000	4760	4200	4000					
			20.6 m	10000	9860	7790	6390	5380	5050	4360	3800	3600					
14000 kg 7x2000 kg	48m	L71+L72+L73+L75+L56 L76+L65	41 m	5000	5000	5000	5000	5000	5000	4800	4200						
			20.7 m	10000	9950	7860	6450	5430	5100	4400	3800						
12000 kg 6x2000 kg	43m	L71+L72+L73+L75+L56 L76	39 m	5000	5000	5000	5000	5000	5000	4500							
			19.7 m	10000	9450	7460	6110	5140	4820	4100							
11000 kg 5x2000 + 1x1000 kg	38m	L71+L72+L73+L75+L56 L76	38 m	5000	5000	5000	5000	5000	5000								
			19.2 m	10000	9180	7240	5930	4980	4600								
9000 kg 4x2000+1x1000 kg	36m	L71+L73+L75+L56+L76 L65	37.3 m	5000	5000	5000	5000	5000									
			18.8 m	10000	9070	7160	5860	4800									
8000 kg 4x2000 kg	31m	L71+L73+L75+L56+L76	36.6 m	5000	5000	5000	5000										
			18.5 m	10000	8930	7040	5600										
7000 kg 3x2000+1x1000 kg	26m	L71+L73+L75+L56	35.5 m	5000	5000	5000											
			17.9 m	10000	8650	6600											

Reações . Reactions . Reaktionen
Reactions . Reacciones
Reazioni . Tepkimeler
РЕАКЦИИ

H m	A/B		C			
	Z kN	P kN	Mv kNm	P kN	Rh kN	Mt kNm
27	400	435	1270	473	49	237
30	500	469	1329	485	54	237
33	500	479	1396	479	60	237
36	500	490	1468	509	65	237
39	500	502	1547	521	71	237
42	600	539	1632	533	76	237
45	600	552	1724	545	81	237
48	600	566	1900	557	87	237
51	700	606	2347	569	92	237
54	900	694	2709	581	98	237



L72		11970	1160	2260	2500	
L73		5230	1160	2260	750	
L74		11950	1160	1950	1400	
L75		5200	1160	1950	500	
L56		5200	1160	1930	590	
L76		5180	1160	1610	370	
L65		5110	1160	1610	330	530 70 18
L66		5110	1160	1610	2x300 600	
RS10 RI10		2620	2180	2150	8000	
P3		2430	1300	760	1270	
CL7		6475	1220	2300	2600	
CL5		10550	1500	500	3720	
CP3		1160	165	3140	2x1000 2000	704 10 00
CP2		1160	330	3140	8x2000 16000	704 20 00
TOTAL					47130	
C1		12000	2180	2180	4200	509 12 00
C1		6130	2180	2180	2200	509 06 00
C1		3195	2180	2180	1200	508 12 03
C1		3195	2250	2250	1360	509 06 03
C1		2280	2150	2150	850	509 06 02
C1		8725	800	1370	4600	609 00 02
		4200	380	1370	2x1700 3400	
TOTAL					8000	



Características . Characteristics . Caratteristiche . Caraterísticas . Caraterísticas . Özellikler . ХАРАКТЕРИСТИКИ

	0 a 85 m/min		37 kW
	0 a 42,5 m/min		
	0 a 1 rpm		3x5 daN.m
	0 a 60 m/min		5,5 kW
	0-10 m/min		2x4 kW
			55 kVA
	400 V +- 5% (50/60 Hz)		

Opção . Option . Optional . Option . Opção . Opzione . Seçenek . Опция

